



Proudly Australian owned & manufactured

DURRA PANEL[®]

Durra Acoustic Studio Kits

Durra Acoustic Studio Kits



Durra Panel is a unique building product made entirely out of reclaimed wheat straw.

Durra Panel is Australian owned and manufactured in Bendigo, Victoria from locally sourced materials.

The manufacturing process converts a wasted agricultural by-product into a strong and durable construction material which is 100% recyclable and biodegradable at the end of its useful life.

Durra Panel is a highly effective material for noise control, in particular, the low frequency noise associated with music venues, heavy industry, aircraft and the like. For over 30 years, Durra Panel building systems have retained a highly successful track record in reliable, cost effective noise control solutions.

When it comes to creating your own recording studio or rehearsal space, Durra Panel and Durra Steel Sections can be combined to build your ideal workspace.

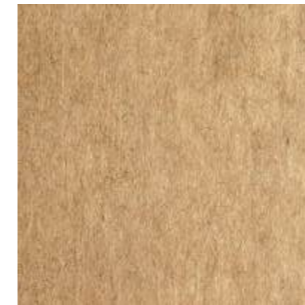
Durra Acoustic Studio Kits are ideal for

- Rehearsal Studios
- Podcast Studios
- Recording Spaces
- Voice Over / Vocal Booths
- Drum Rooms
- Editing Suites
- Home Cinemas



Available in a variety of finishes

Full range of finishes can be seen at www.durrapanel.com/the-product/



Natural Finish



Textured Paint Finish



Acoustic Pattern Finish



Quietspace Soundsorb

Durra Ceiling and Wall Systems enable your project to be assembled as a free standing studio, which is ideal for an existing warehouse or home garage. The kits can also be dismantled, so if it comes time to pack up and move, your studio can come too.

Durra Panel is faster, safer and more economical than traditional building materials, sustainably providing acoustic and thermal benefits in the one product and greatly reducing build times.

We have a range of options available to suit your acoustic requirements, budget and size with all materials supplied to your door, pre-cut and ready to go.



Series 2 Studio in construction



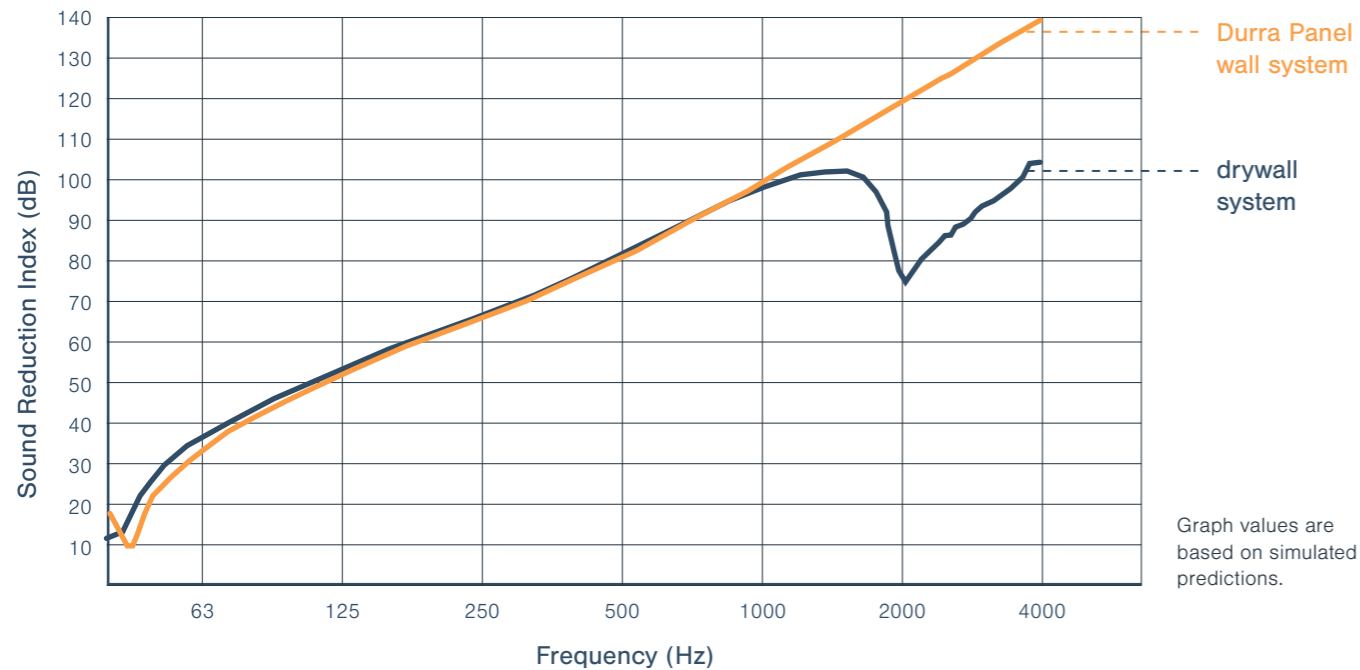
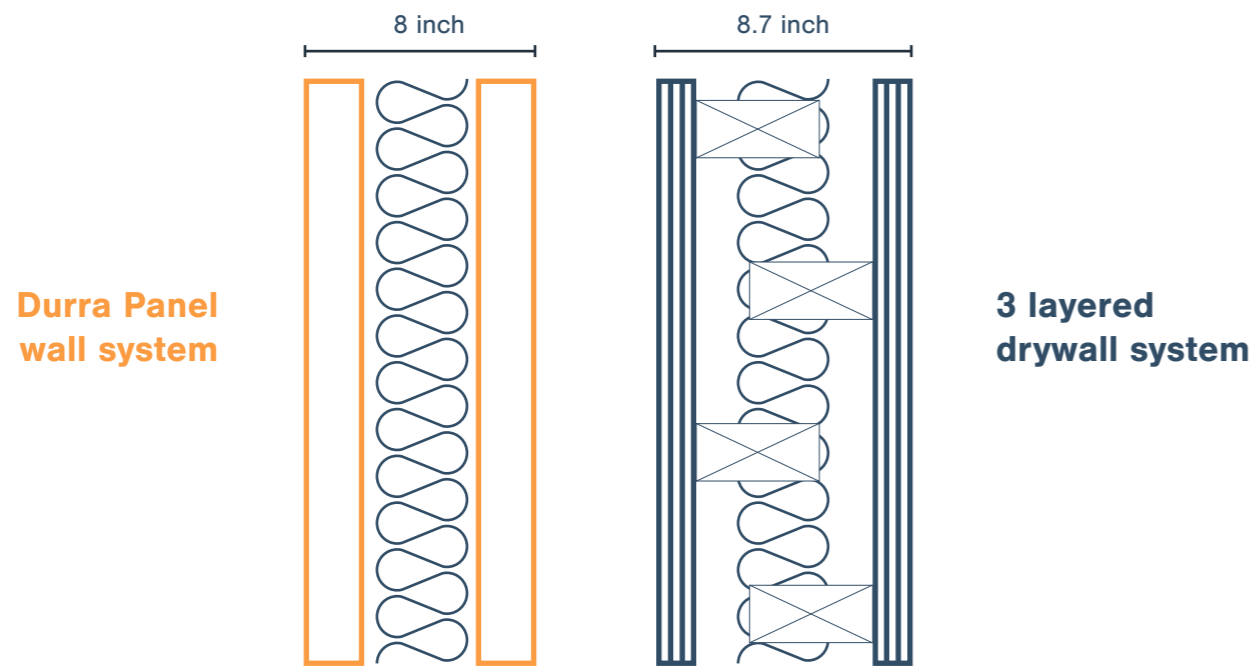
Series 3 Studio in construction

Durra Building Systems

A Better Way To Build

Using Durra Panel in your Acoustic Studio allows for simple assembly and a fast installation. Materials arrive pre cut and ready to install needing no specialty tools, wet trades or advanced building experience. Durra Panel provides an all in one studio solution compared to using traditional building materials and various tradespeople to reach a comparable acoustic result.

Rw 60 Wall Systems



Acoustic Studio Series 1

Single Layer

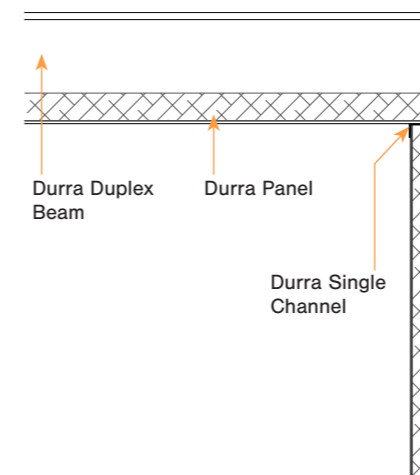


Prices below are a guide, Durra Acoustic Studios are **customizable to your space.**

Size	Base Price	Optional Wall Finishes		Optional Ceiling Finishes	
		Paint Finish	Acoustic Pattern w/ Paint Finish	Paint Finish	Acoustic Pattern w/ Paint Finish
12 x 15ft	\$5,290	\$830	\$3,280	\$290	\$1,120
12 x 19ft	\$6,000	\$930	\$3,660	\$350	\$1,370
15 x 15ft	\$5,690	\$830	\$3,280	\$350	\$1,370
19 x 19ft	\$7,390	\$1,040	\$4,090	\$550	\$2,170

Single Door Kit is available from \$300

Section Detail



Please Note

All prices are in US Dollars, are indicative and are subject to change without notice. Please contact us for an official quote so that we can best meet your needs.

Studio sizes above are external dimensions with a ceiling height of 9ft, ceiling heights above 9ft may require additional framing. Base price allows for all Durra Steel Sections in galvanised steel finish and Durra Panel Natural Finish. Optional finish extras are priced for internal panel faces only. Drafting fees included and allow for one revision only, additional charges apply for further revisions. Angled walls and raked ceilings will incur additional drafting fees. Delivery subject to P.O.A ex works Bendigo, Victoria, Australia.

Acoustic Studio Series 2

Double Layer / Semi Disconnected

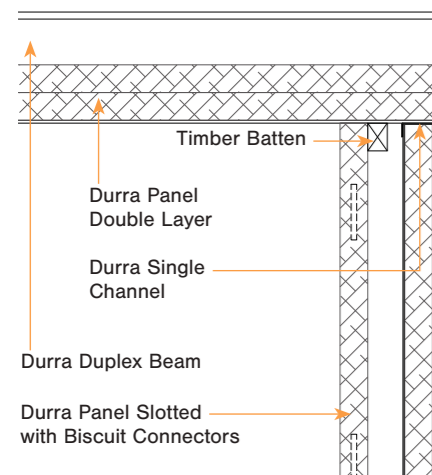


Prices below are a guide, Durra Acoustic Studios are customizable to your space.

Size	Base Price	Optional Wall Finishes		Optional Ceiling Finishes	
		Paint Finish	Acoustic Pattern w/ Paint Finish	Paint Finish	Acoustic Pattern w/ Paint Finish
12 x 15ft	\$8,140	\$720	\$2,850	\$290	\$1,120
12 x 19ft	\$9,250	\$830	\$3,280	\$350	\$1,370
15 x 15ft	\$8,950	\$830	\$3,280	\$350	\$1,370
19 x 19ft	\$11,520	\$1,040	\$4,090	\$550	\$2,170

Double Door Kit is available from \$550

Section Detail



Please Note

All prices are in US Dollars, are indicative and are subject to change without notice. Please contact us for an official quote so that we can best meet your needs.

Studio sizes above are external dimensions with a ceiling height of 9ft, ceiling heights above 9ft may require additional framing. Base price allows for all Durra Steel Sections in galvanised steel finish and Durra Panel Natural Finish. Optional finish extras are priced for internal panel faces only. Drafting fees included and allow for one revision only, additional charges apply for further revisions. Angled walls and raked ceilings will incur additional drafting fees. Delivery subject to P.O.A ex works Bendigo, Victoria, Australia.

Acoustic Studio Series 3

Double Layer / Disconnected

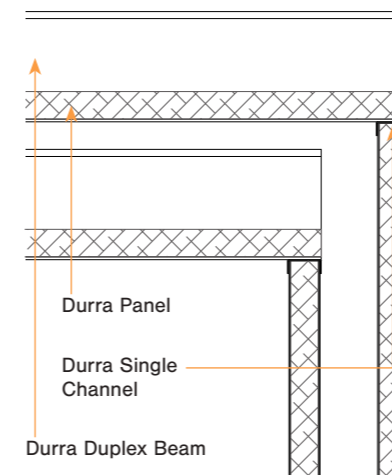


Prices below are a guide, Durra Acoustic Studios are customizable to your space.

Size	Base Price	Optional Wall Finishes		Optional Ceiling Finishes	
		Paint Finish	Acoustic Pattern w/ Paint Finish	Paint Finish	Acoustic Pattern w/ Paint Finish
12 x 15ft	\$10,280	\$720	\$2,850	\$380	\$1,490
12 x 19ft	\$11,710	\$830	\$3,280	\$470	\$1,860
15 x 15ft	\$11,340	\$830	\$3,280	\$410	\$1,610
19 x 19ft	\$14,860	\$1,040	\$4,090	\$660	\$2,600

Double Door Kit is available from \$550

Section Detail



Please Note

All prices are in US Dollars, are indicative and are subject to change without notice. Please contact us for an official quote so that we can best meet your needs.

Studio sizes above are external dimensions with a ceiling height of 9ft, ceiling heights above 9ft may require additional framing. Base price allows for all Durra Steel Sections in galvanised steel finish and Durra Panel Natural Finish. Optional finish extras are priced for internal panel faces only. Drafting fees included and allow for one revision only, additional charges apply for further revisions. Angled walls and raked ceilings will incur additional drafting fees. Delivery subject to P.O.A ex works Bendigo, Victoria, Australia.

Acoustic Studio Kits

Design and Delivery Process

See below an outline of what you can expect from the design, manufacturing and delivery process for your Acoustic Studio Kit.

Initial enquiry



Call or email to get in touch with our technical consultants about your Acoustic Studio needs.

Quotation



Our team will put together a quotation based on your dimensions and finishes. Once accepted, a 10% deposit is required.

Concept design



Our team work on a concept design which includes a floor plan and elevations for your approval.

We allow one revision for any minor changes. Once approved, a 40% payment is required.

Shop drawing & assembly guide



Our team work further in completing the full set of shop drawings and flat pack assembly guide for your studio.

Manufacturing



We begin manufacturing the materials needed for your studio, usually taking 4 - 6 weeks.

Studio is delivered



Various delivery methods are available to ship directly to your door from Australia to the United States with final payment required before dispatch.

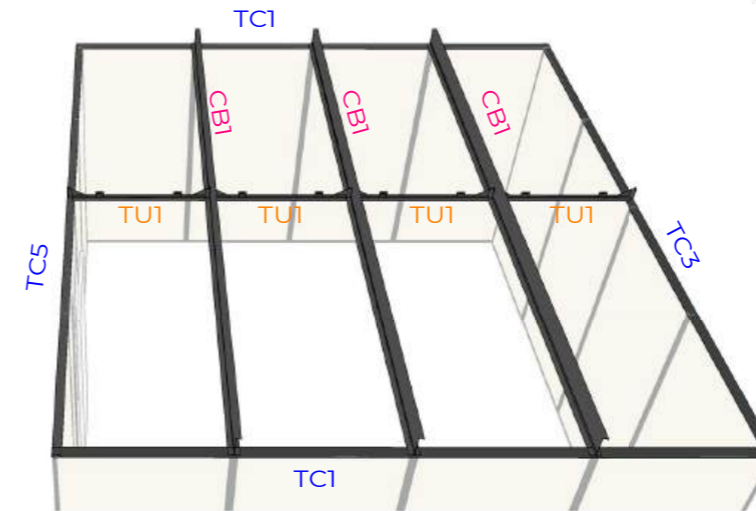
The Team will work with you on the best method to meet your project needs.

Materials are delivered all ready to go for a fast installation.

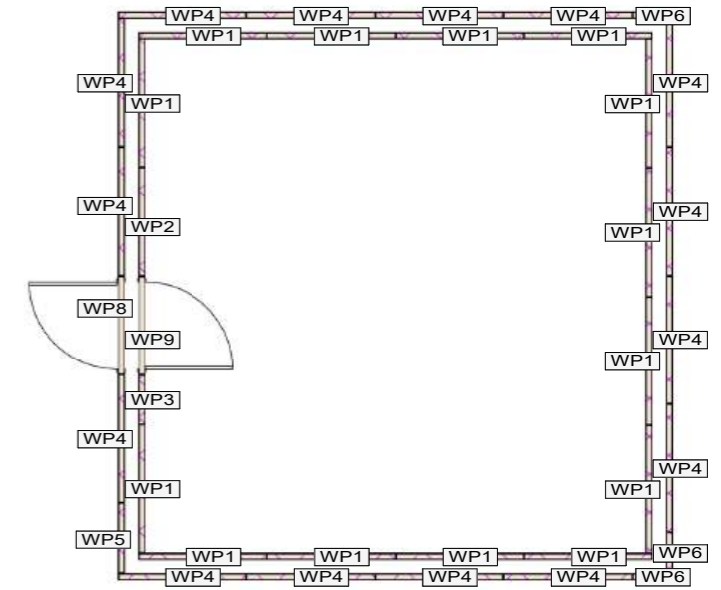
Acoustic Studio Kits

Flat Pack Assembly Guide

Durra Panel provides a flat pack assembly guide for your studio for a fast and easy installation process. See the below example:



3D CEILING FRAMING LAYOUT

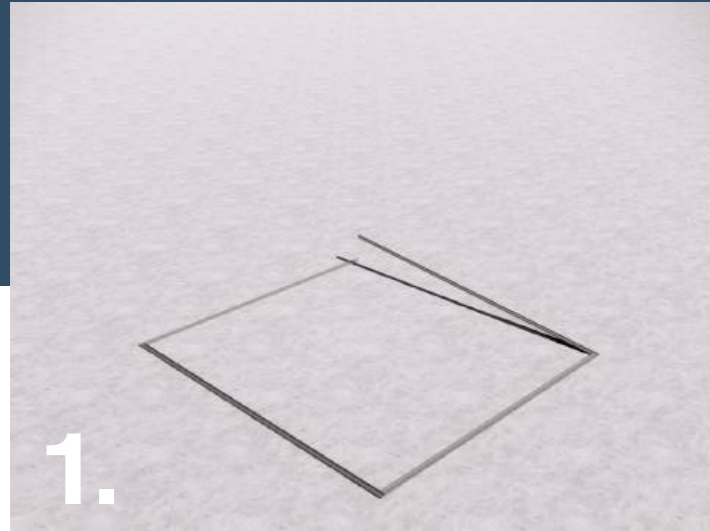


WALL PANEL PLAN

Durra Acoustic Studio Kits can be made in custom sizes, angles or arrangements. Extra drafting fees may apply for angled walls, raked ceilings, arrangements or other non standard designs.



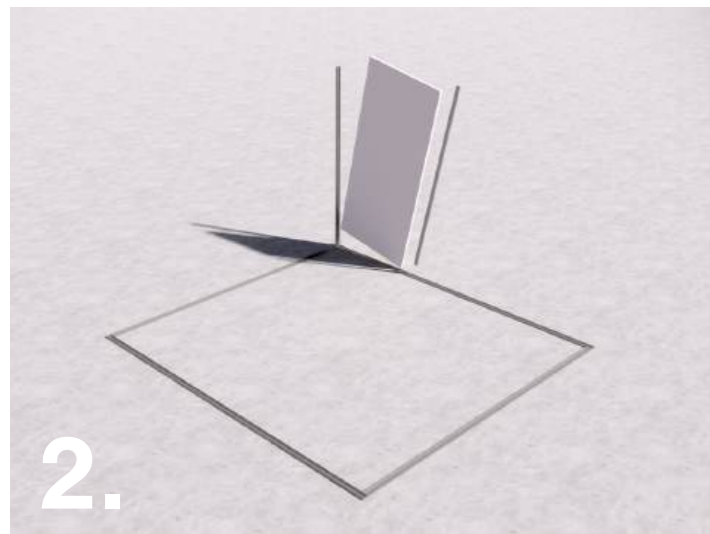
Series 1 Installation Example



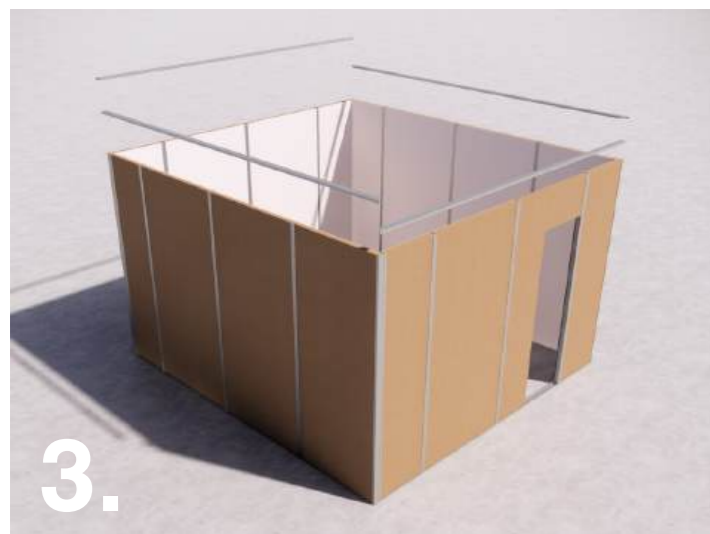
Useful tools

- Hammer
- Grinder
- Tape measure
- Circular Saw
- Drill

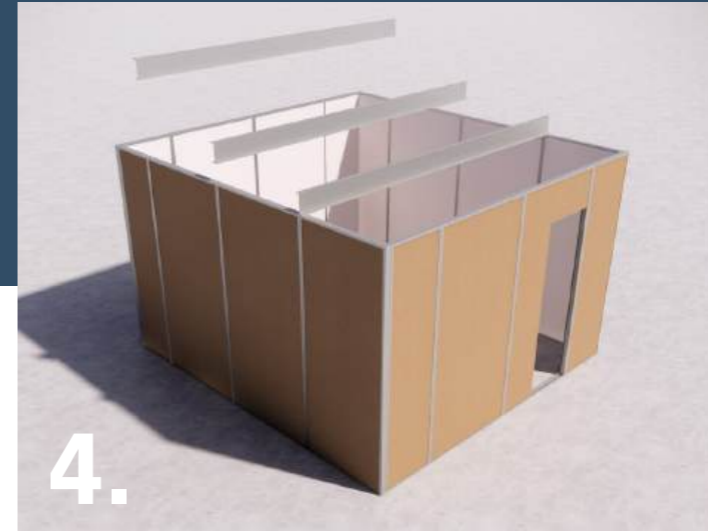
Set out Durra Single Channel base plate and fix down to a level surface.



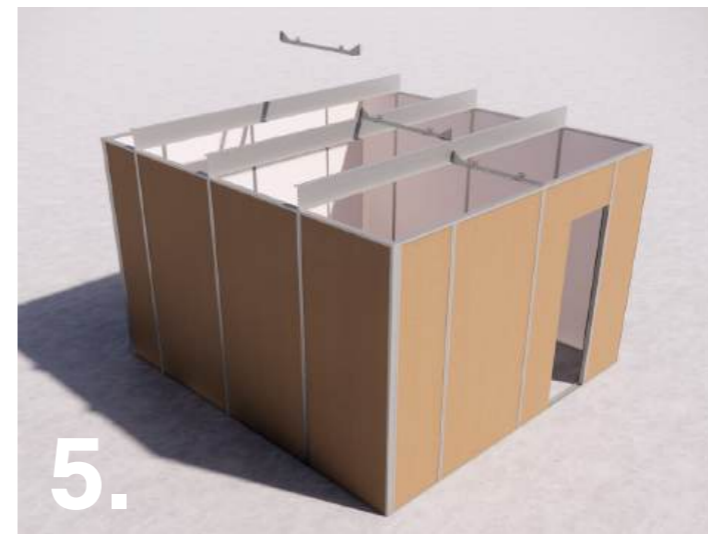
Starting from a corner, install Corner Stud, Durra Panels & Double Channel Studs.



Once all walls have been installed, fit the Durra Single Channel top plate.



Set out the Durra Duplex Beams to the nominated centres and fix down using the supplied fixings.



Bolt the Durra Tee Units to the Durra Duplex Beam using the nuts, bolts and washers supplied.



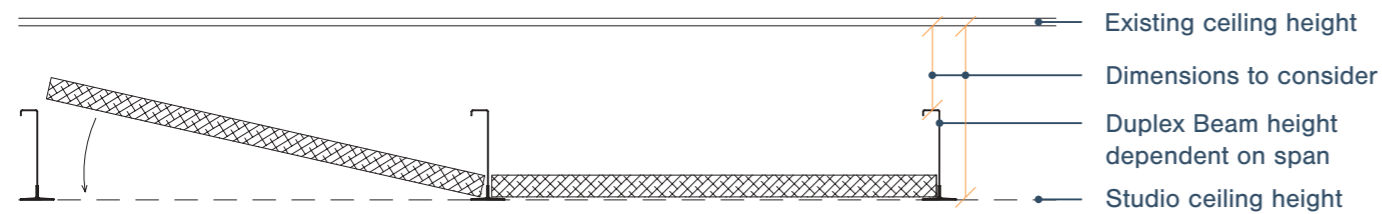
Place Durra Panels into the ceiling grid from above & secure with Durra Panel Wedges.

Design Considerations

Studio Ceiling Height

Please note

- This is your wall panel length.
- If assembling your studio within an existing structure, ensure there is adequate space between the top of Durra Duplex Beam and the existing ceiling to install Durra Panel from above.

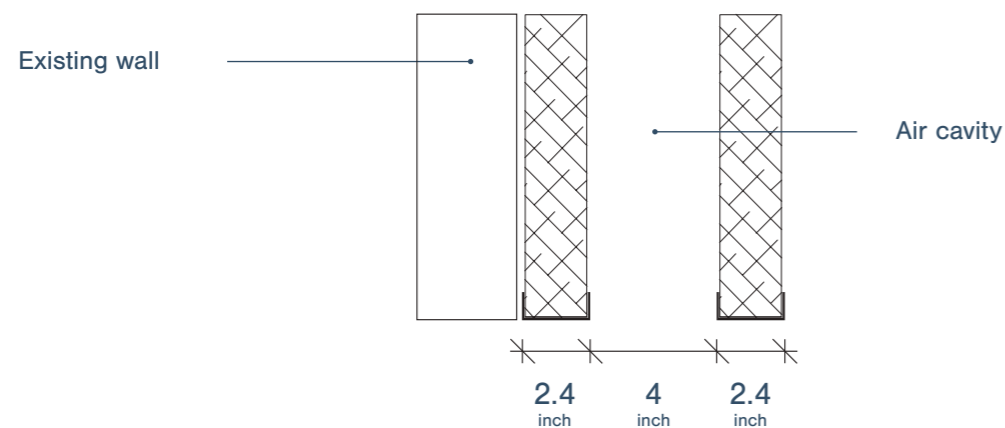


Studio Length and Width

Increments of 4ft are ideal for best efficiency and no wastage.

Please note

- Measure your allocated studio space, please remember that these are external dimensions, meaning the internal studio dimensions will be less the panel thickness and any air cavities.
- It is possible to assemble the proposed studio walls against an existing wall.



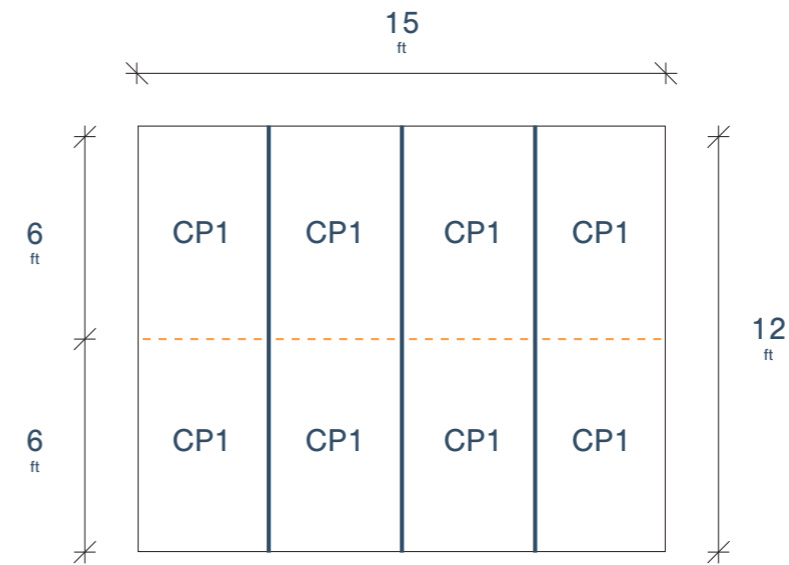
Example wall dimensions using Durra Panel S50 Natural Finish

- Panel thickness is dependent on finish
- The air cavity is variable to suit acoustic performance

Ceiling Panel Length

Please note

- Durra Duplex Beams typically run the shorter dimension of your studio. Divide this dimension into halves or thirds to create equal ceiling panel lengths.
- It is recommended to keep ceiling panels no greater than 8ft for ease of installation.



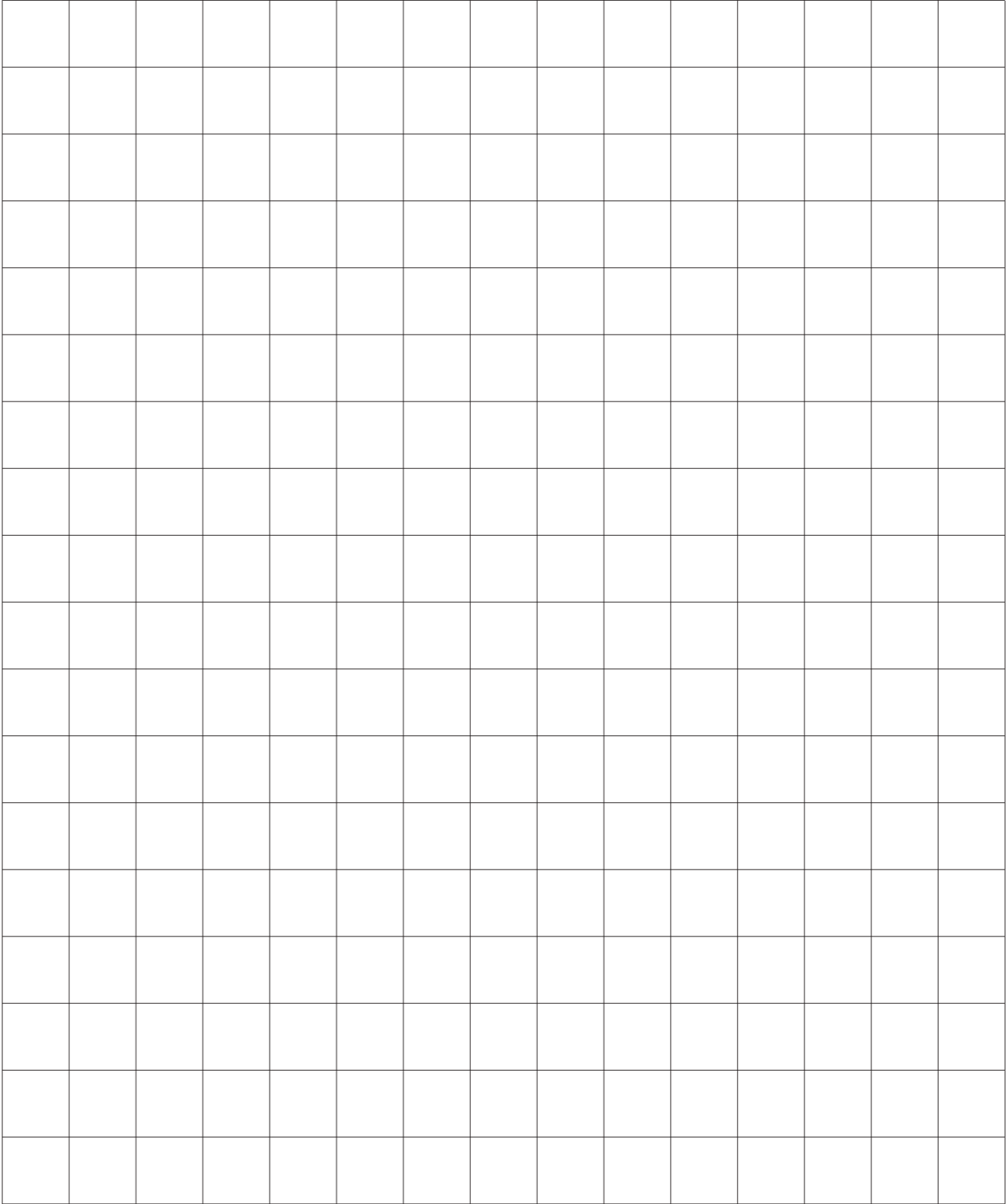
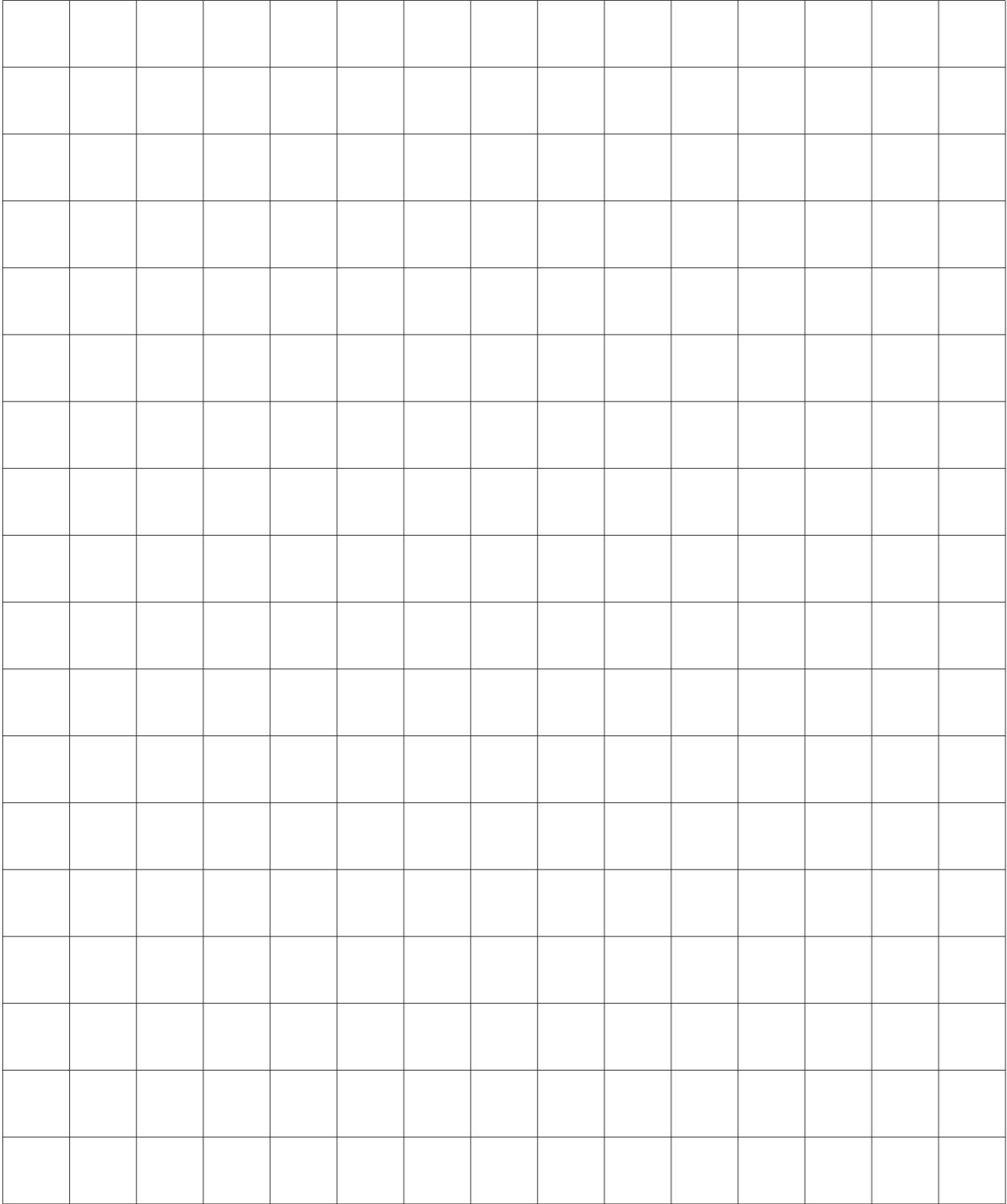
- CP1 Ceiling panel (6ft length) - Quantity: 8
- Durra Duplex Beam (12ft) - Quantity: 3
- - - Durra Tee Unit (15ft) - Quantity: 4

Penetrations

Please note

- Penetrations for lighting, electrical and HVAC can be simply drilled or cut using a spade bit, hole saw or power saw. Ensure that all penetration cuts are resealed.
- It is ideal to keep penetrations as small as possible to minimize acoustic flanking paths.
- There are a number of ways to include ventilation within your studio, contact Durra Panel for further information.

Take Off Sketch Sheet



DURRA PANEL[®]



www.durrapanel.com

Ortech Industries Pty Ltd

Unit 3, 490 Frankston-Dandenong Road
Carrum Downs VIC 3201 Australia

hello@durrapanel.com

+61 3 9580 7766